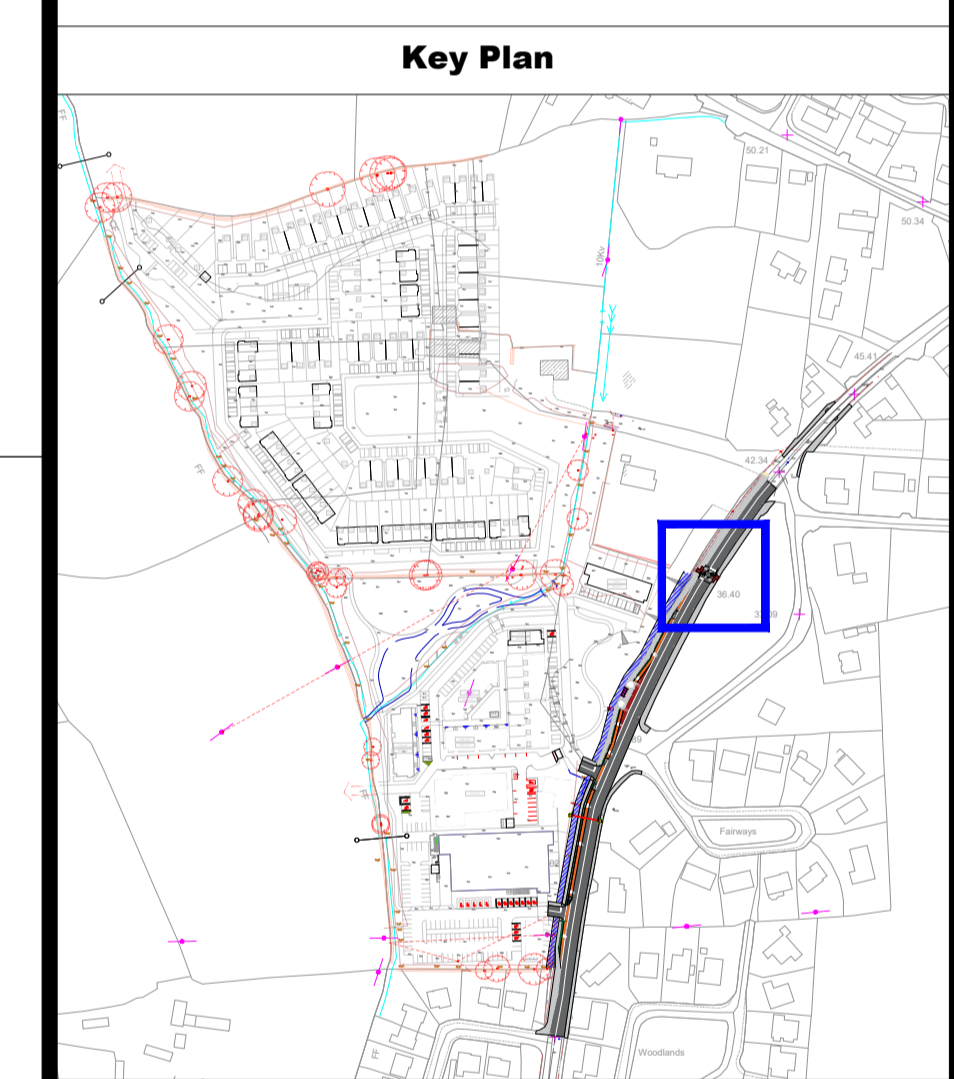


29.38

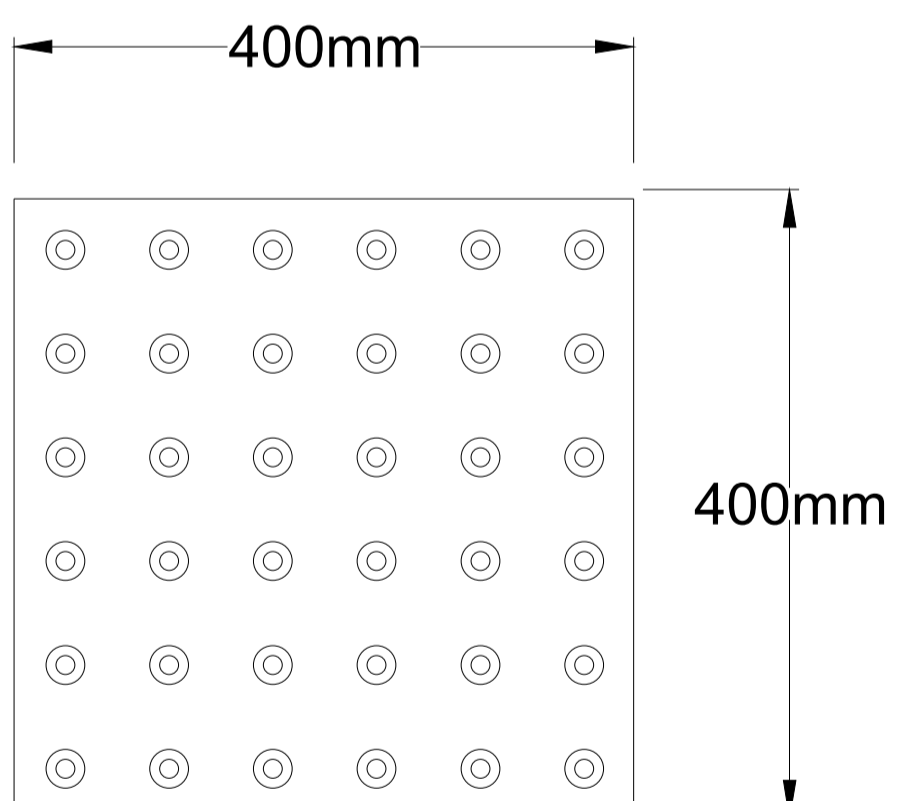
1:100 @ A1

**NOTES:**  
 All dimensions in metres.  
 Do not scale from drawing.  
 For any discrepancies found please consult with design office.  
 This drawing should be read in conjunction with all contract drawings, documents and specifications.

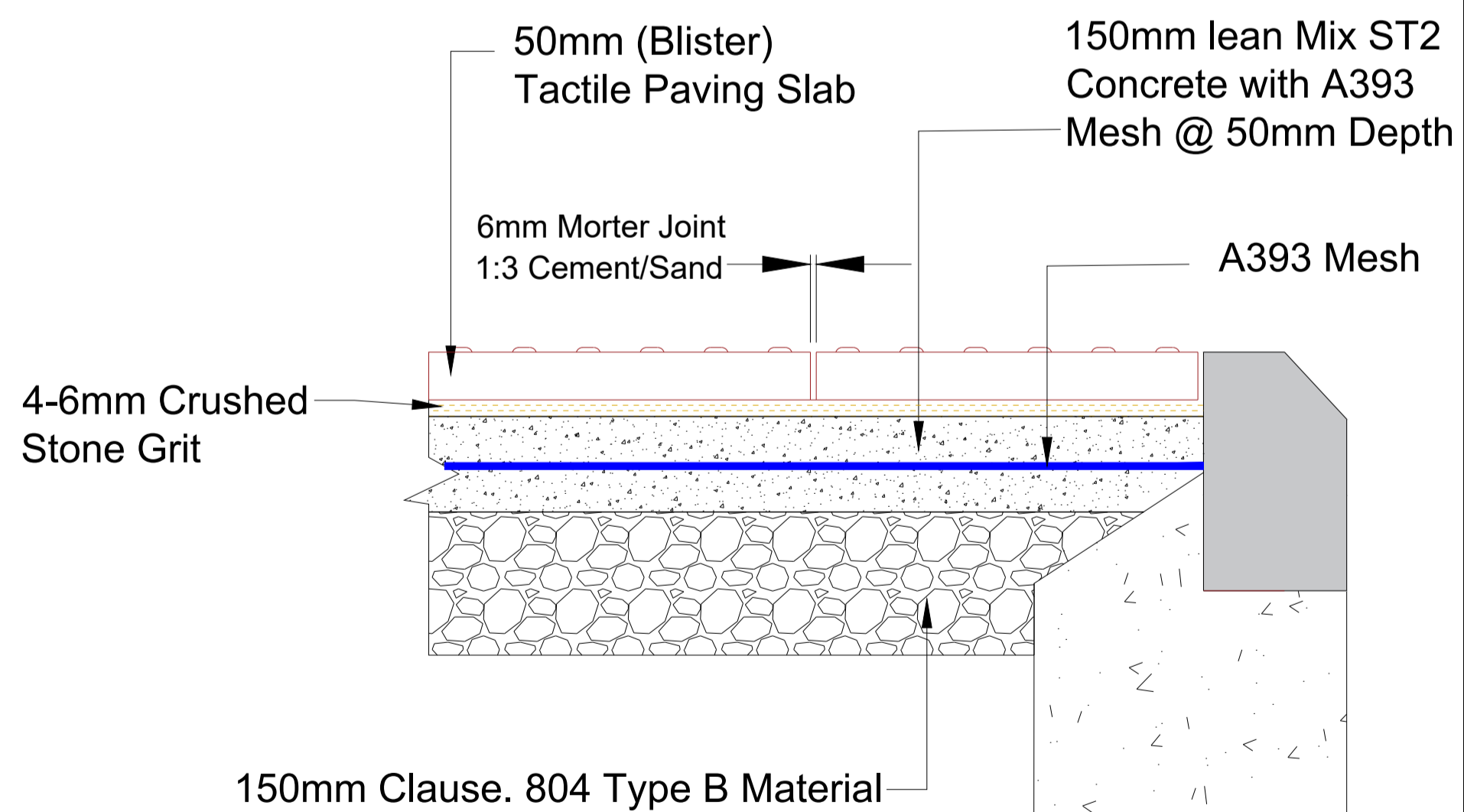
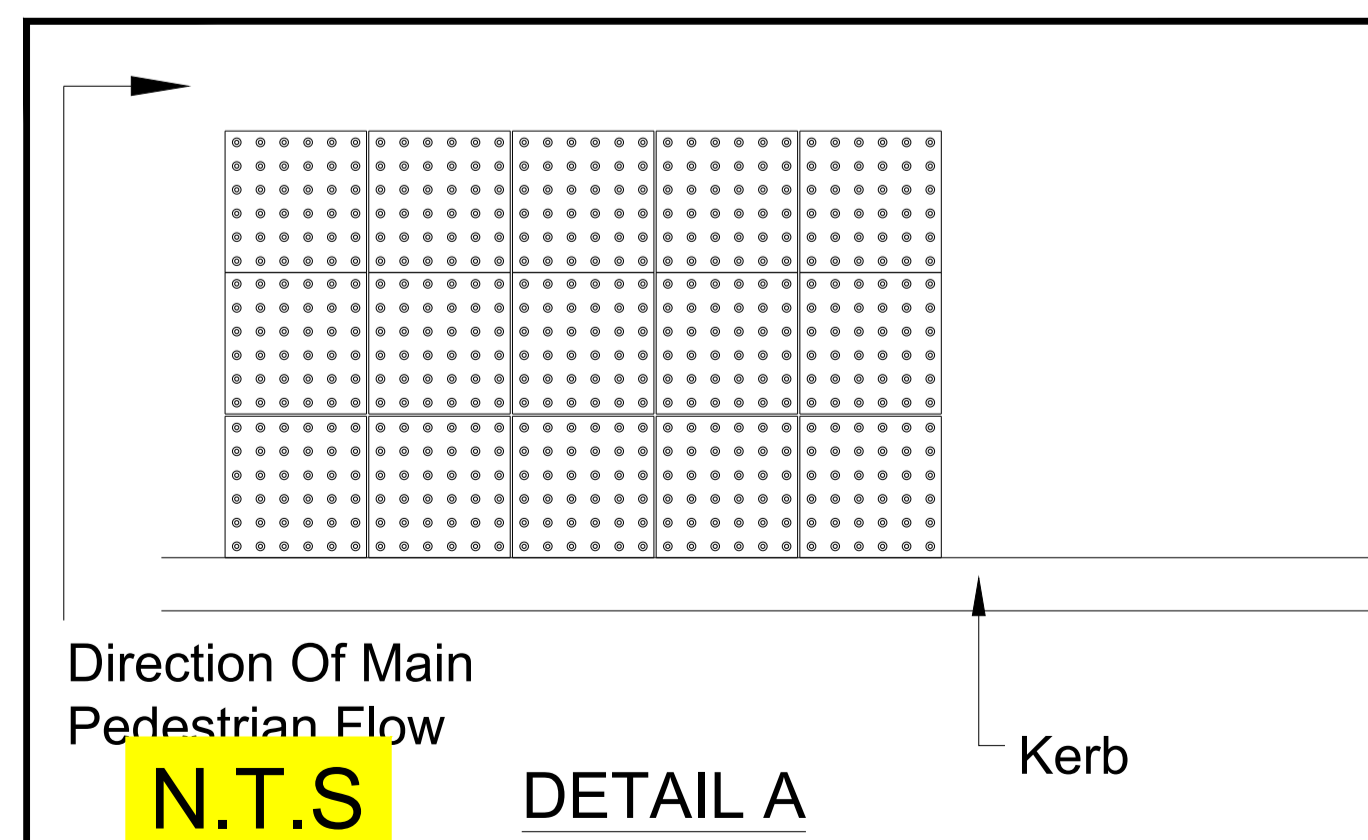
- Legend:**
- Primary Traffic Signal Head
  - Secondary Traffic Signal Head
  - Pedestrian Traffic Signal Head
  - Cyclist Traffic Signal Head
  - Pedestrian Demand Unit



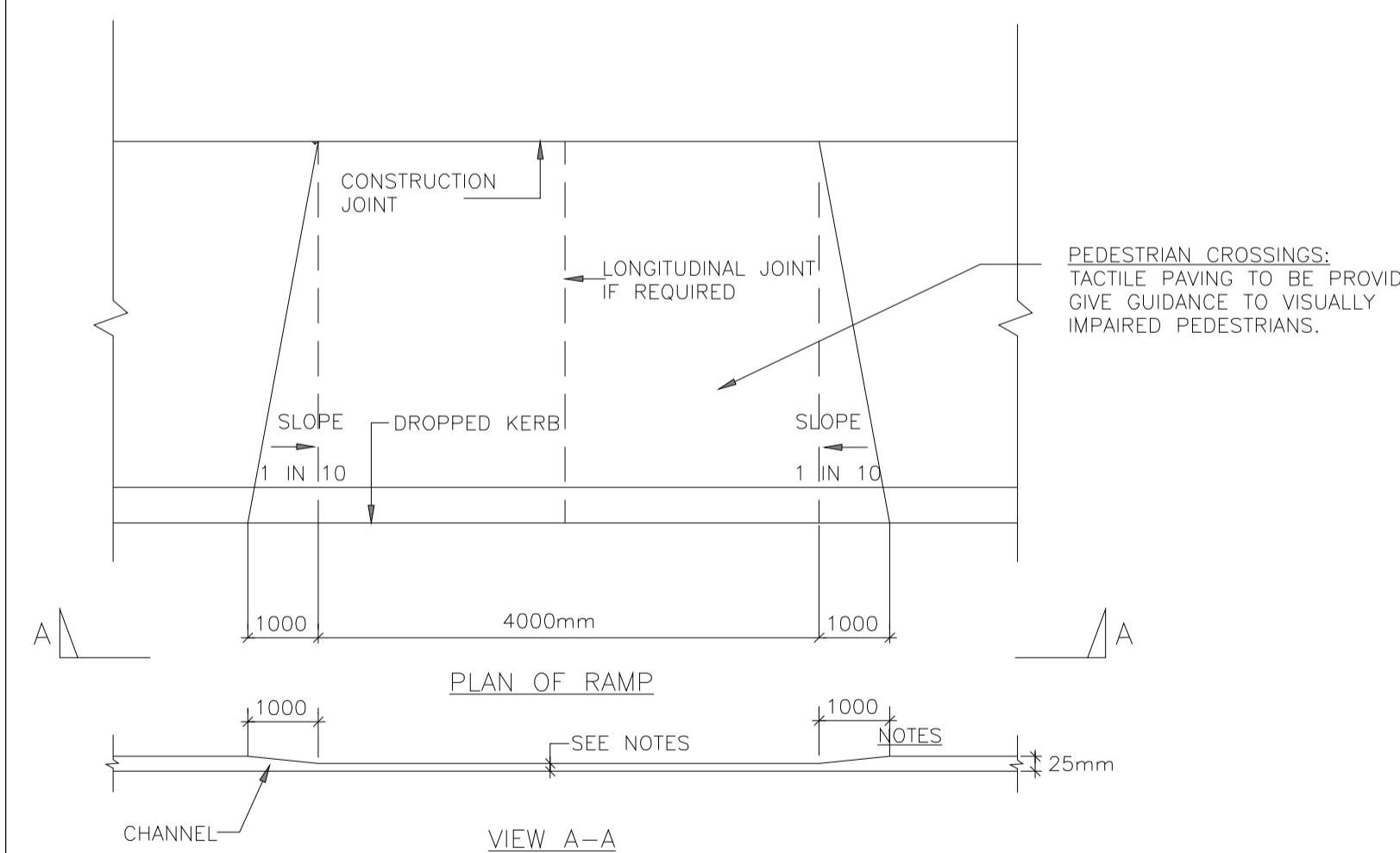
Module Type A - 6 Domes



PLAN OF TACTILE (BLISTER) PAVING SURFACES



Section Trough Tactile Paving Slabs at Signalised Pedestrian Crossings



1. A RAISED LIP OF 0 - 6mm SHOULD BE USED FOR PEDESTRIAN CROSSINGS.

Rev By	Date	Description
01	SM	16/06/21 Planning Issue

**Drawing Status:** PLANNING  
 NOT CERTIFIED FOR CONSTRUCTION

**Project Title:** Cloghroe Development

**Drawing Title:** Proposed Signalised Junction

**Client:** Cloghroe Development Limited

**M.H.L. & Associates Ltd. Consulting Engineers**

Carrig Mór House, 10 High Street, Douglas Road, Cork

Tel: 021-4840214 Fax: 021-4840215 E-Mail: info@mhl.ie

<b>Designed:</b> SM	<b>Drawn:</b> SFM	<b>Checked:</b> KM
<b>Scale:</b> As Shown @ A1	<b>Date:</b> April 2021	
<b>Job No:</b> 19083HD	<b>Drawing No:</b> RL1-PSJ-P01	<b>Revision:</b> 01